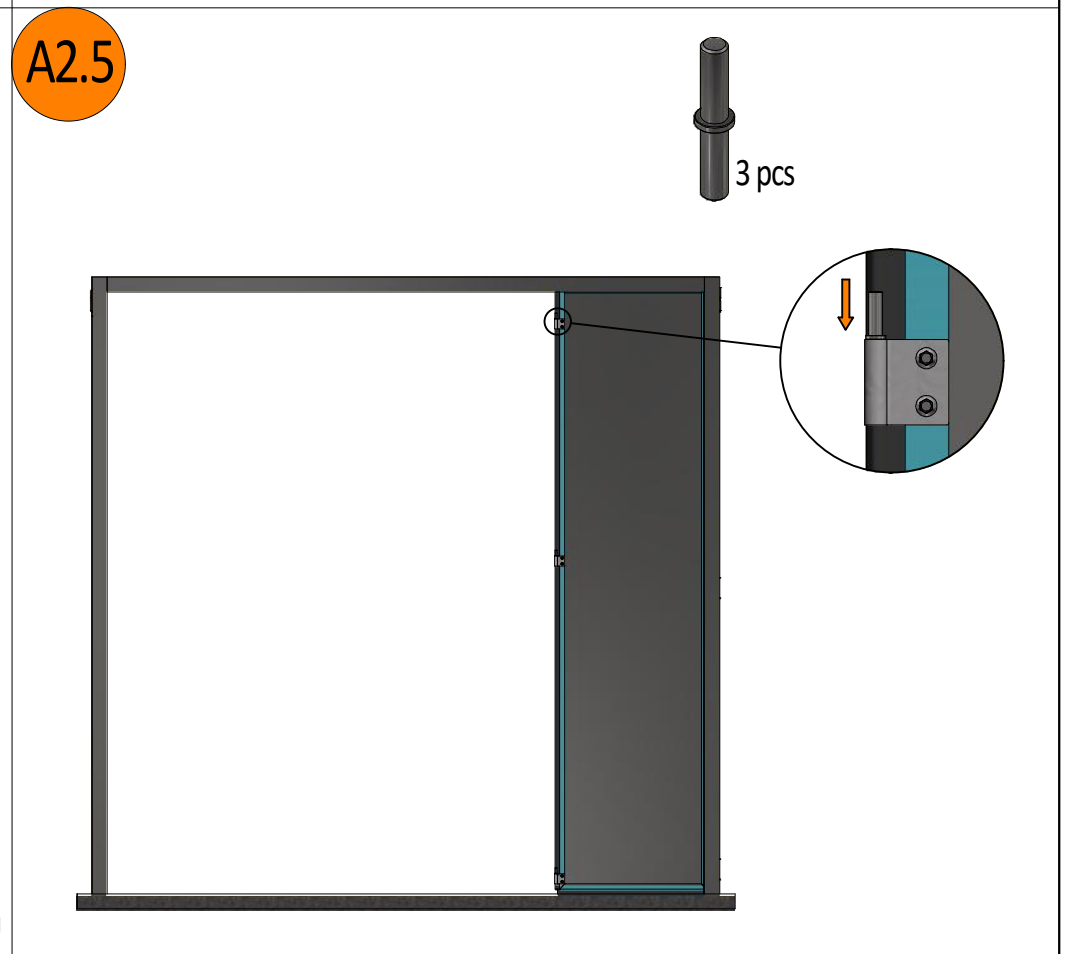
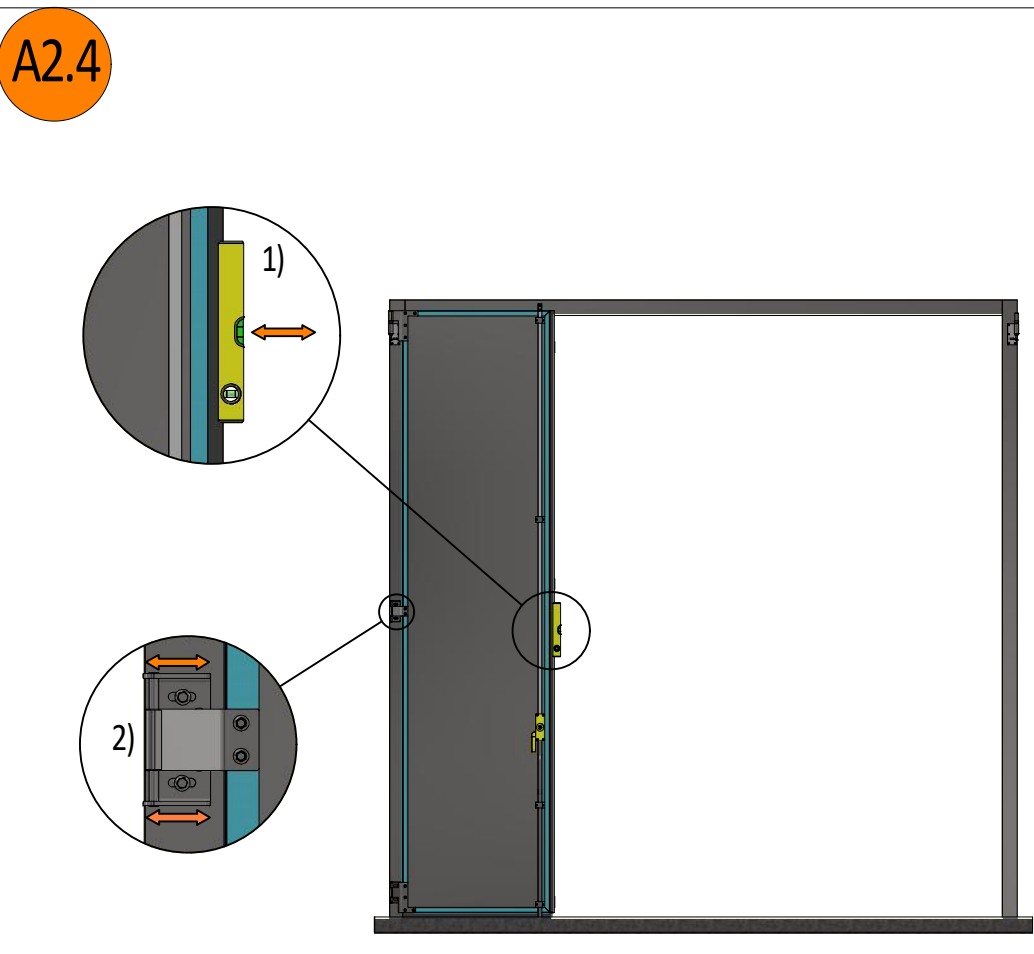
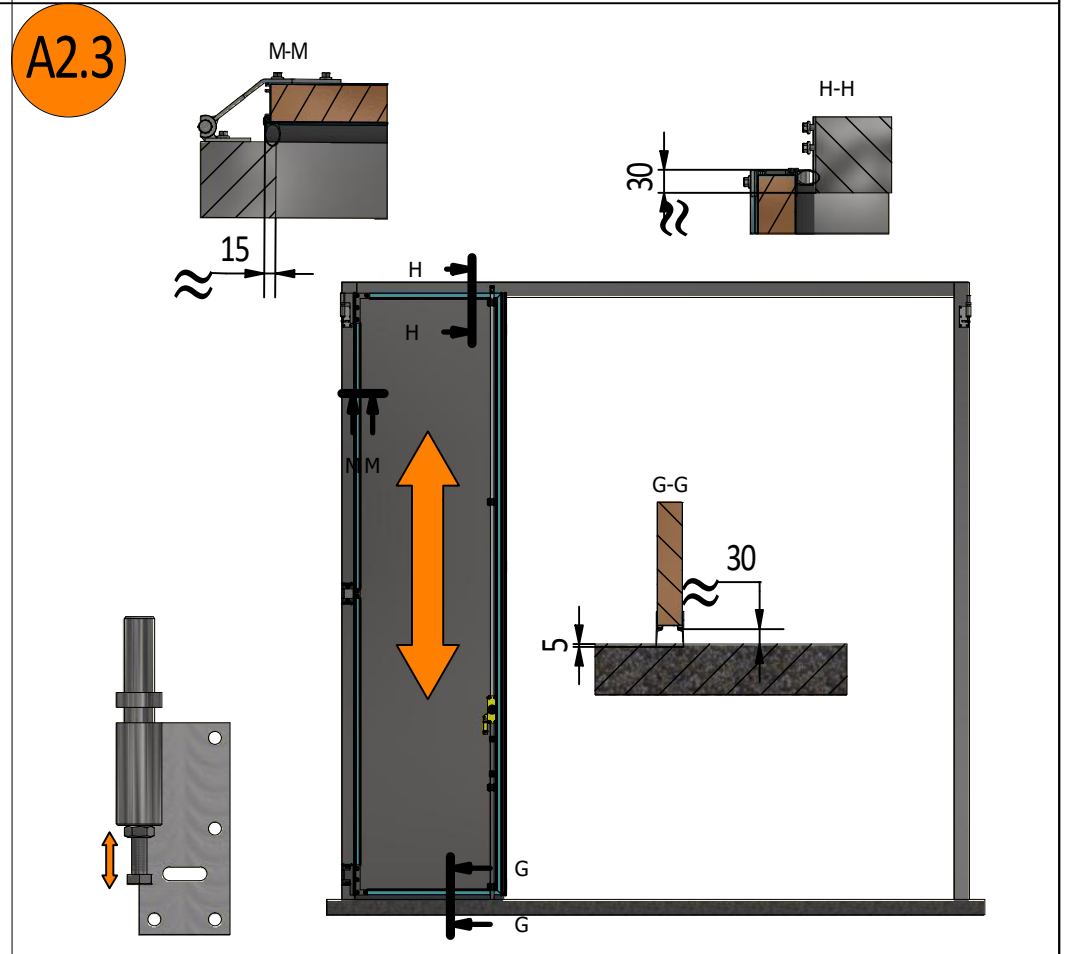
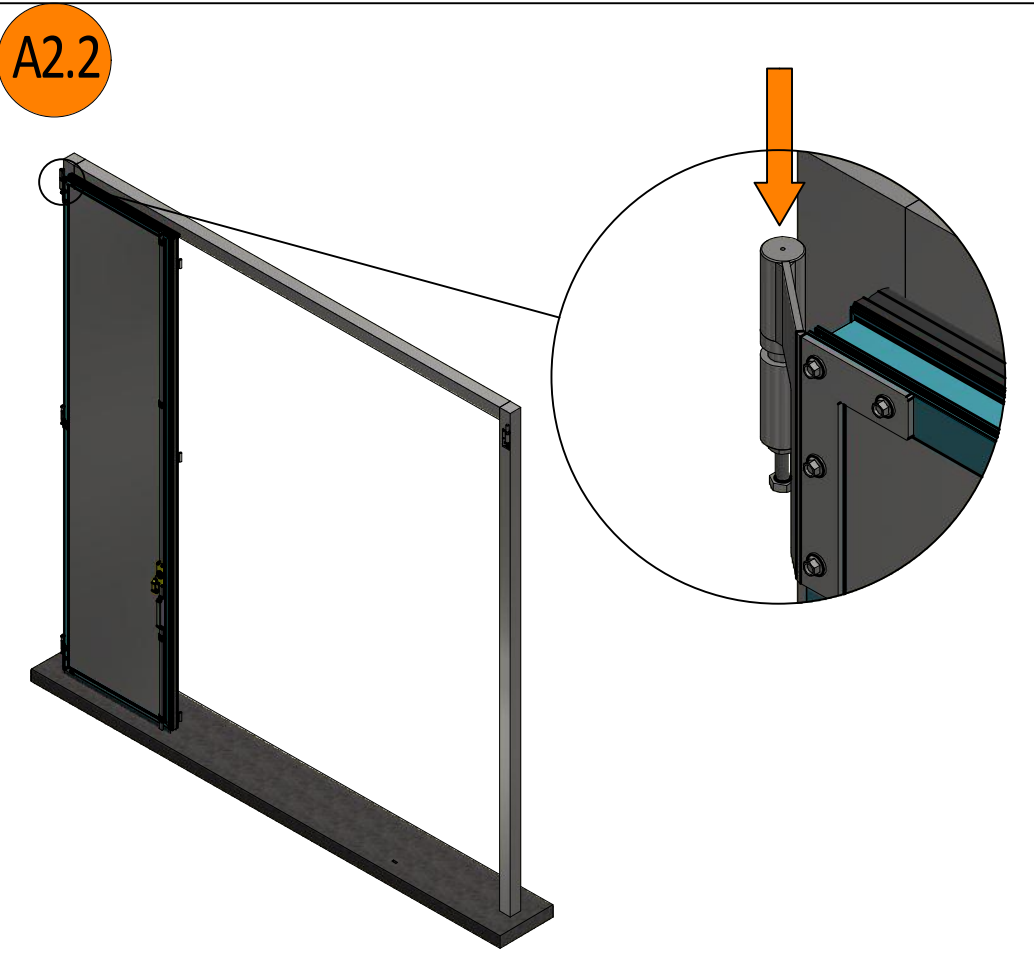
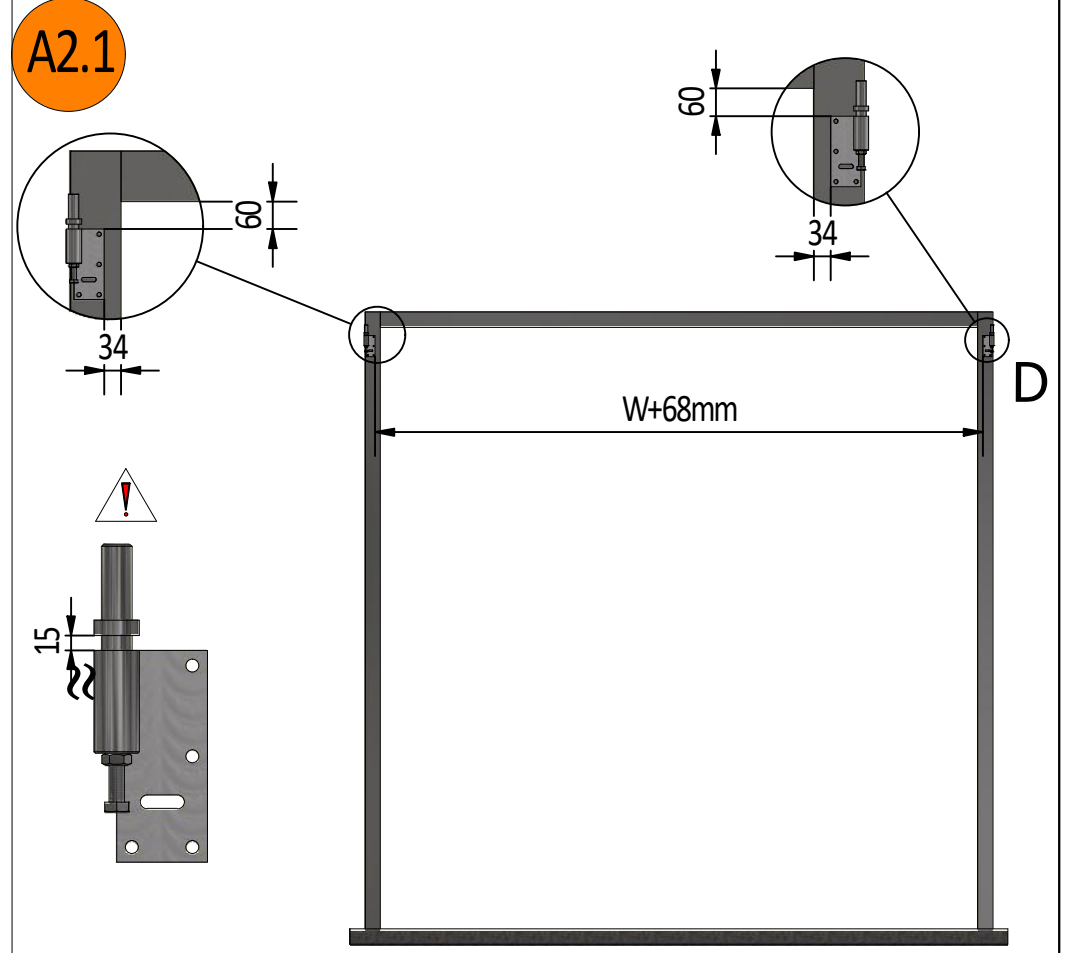
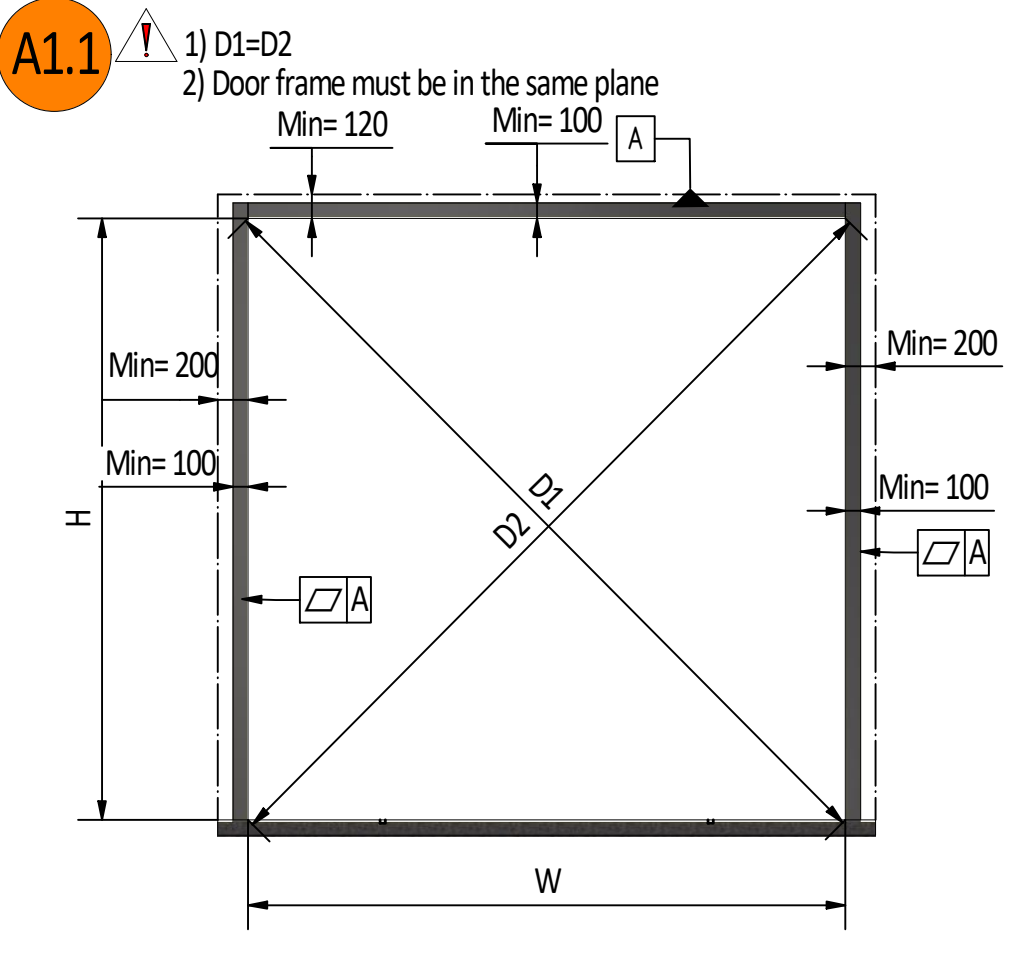


PARTS LIST

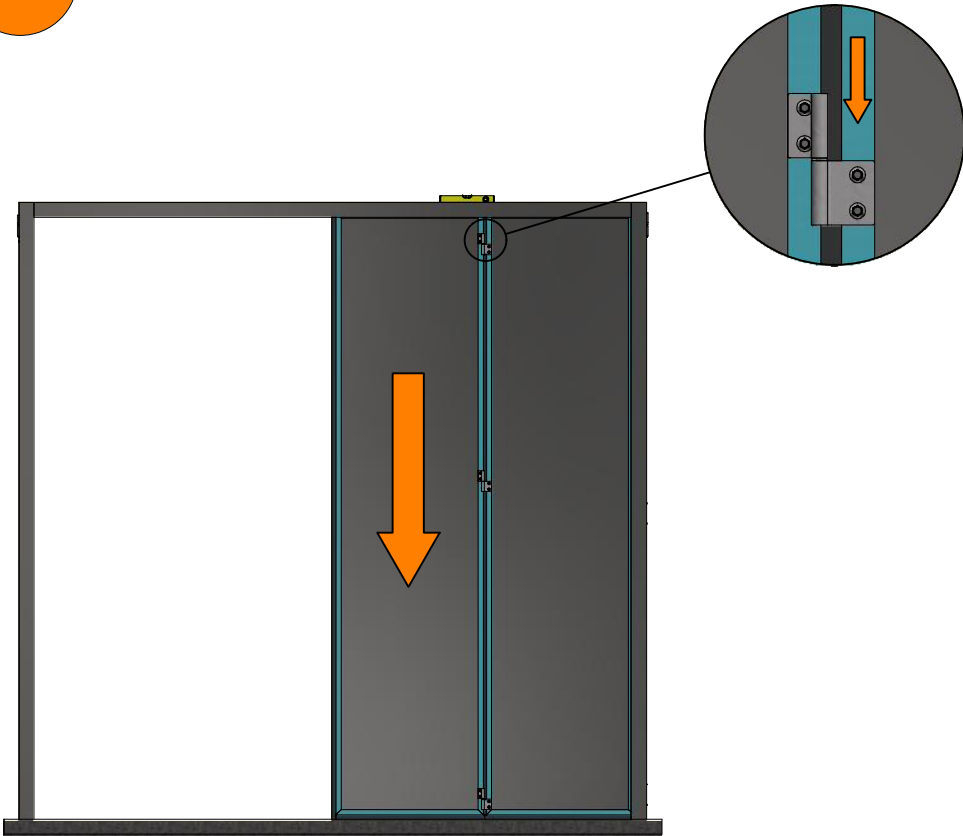
ITEM	QTY	PART NUMBER	DESCRIPTION
1	1	BASE	
2	1	FD.4P.2.2.1P	Panel 1
3	1	FD.4P.2.2.2P	Panel 2
4	1	FD.MHI.LOW	Top hinge 2 part LH
5	6	425PS.1	Central hinge axle
6	1	FD.4P.2.2.4P	Panel 4
7	1	FD.MHI.LOW MIR	Top hinge 2 part RH
8	1	FD.4P.2.2.3P	Panel 3
9	4	VK.SUPP	Steel rope supp plates
10	1	FD.RA.02 rev2	Rail corner bracket LH
11	1	FD.RA.02.rev2 MIR	Rail corner bracket RH
12	2	FD.RA.01	Rail central bracket
13	2	FD.VK.1	Top catcher plate
14	2	FD.Comunello profili 24mm L2090	Rail
15	2	8C 10102110	Carriage
16	4	ISO 7380-1 - M8 x 25	Hexagon Socket Button Head Screw
17	6	DIN 9021 - 8.4	Washer
18	4	DIN 934 - M8	Hex Nut
19	2	365	Strike for roads
20	2	FD.ST.02	Strike for catcher

Date	2019-04-05	Sheet Format	A3	Mounting instruction_RD	Designer	VPA
				Folding Doors 4 panels	Rev.	00
					Sheet	1/5

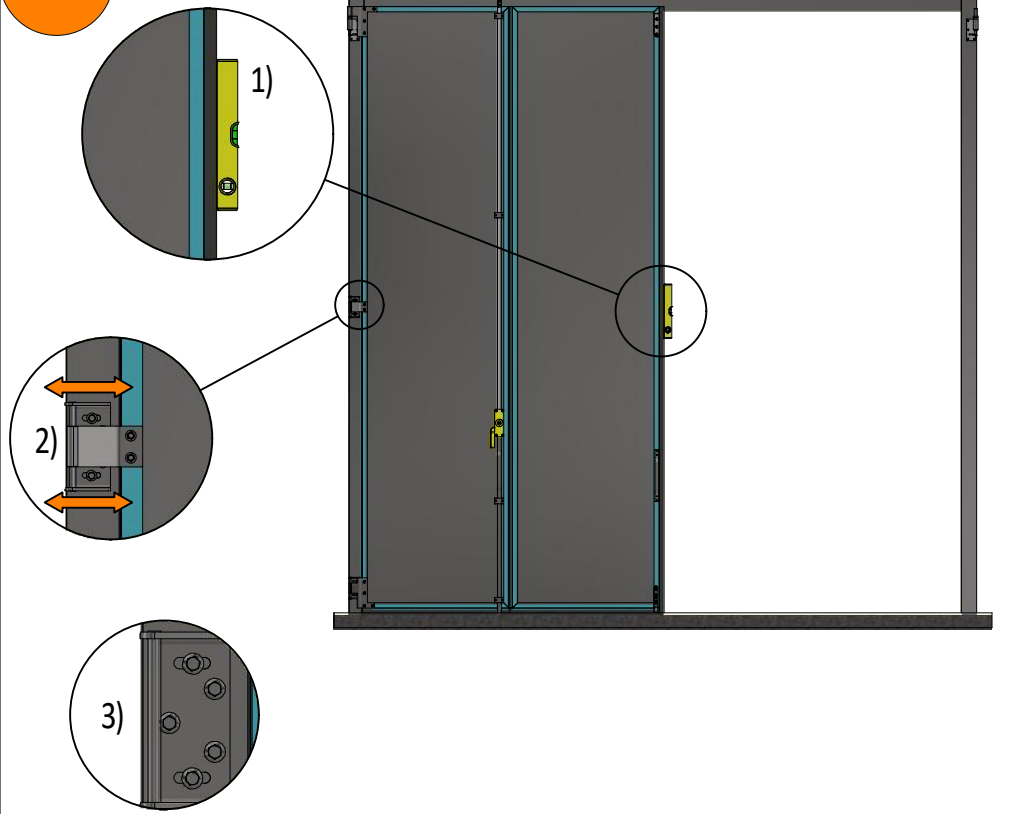


Date	2019-04-05	Sheet Format	A3	Mounting instruction_RD	Designer	VPA
				Folding Doors 4 panels	Rev.	00
					Sheet	2/5

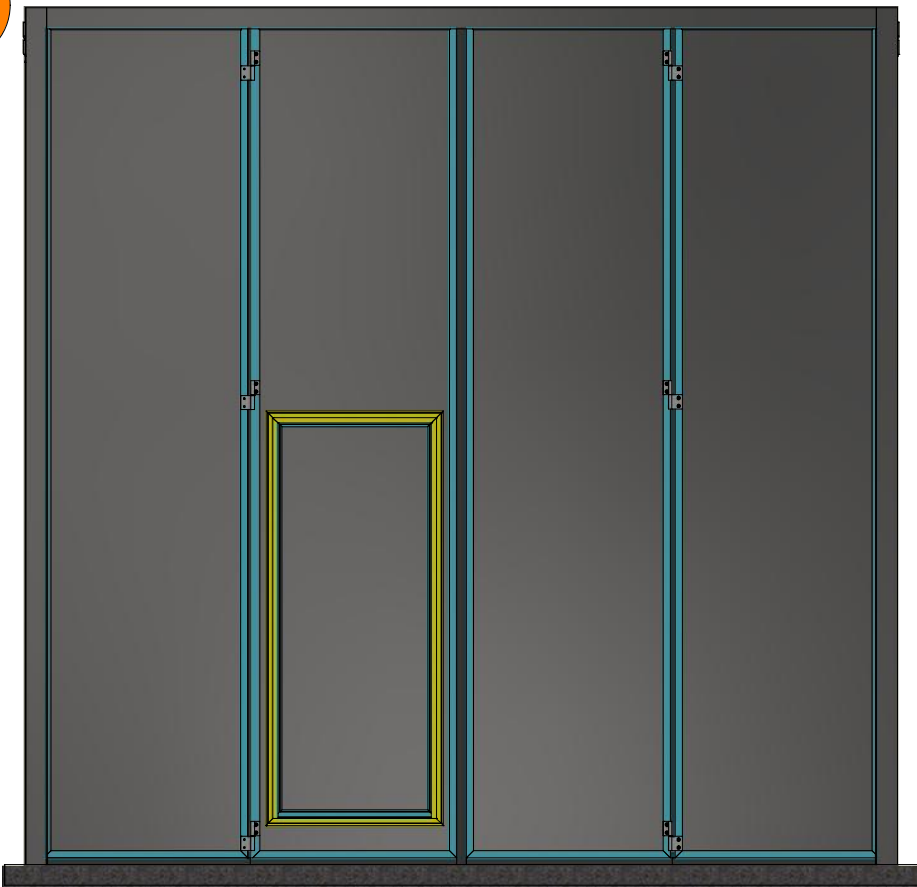
A2.6



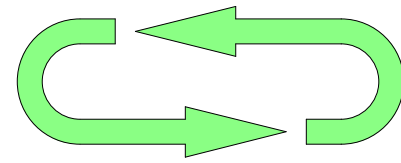
A2.7



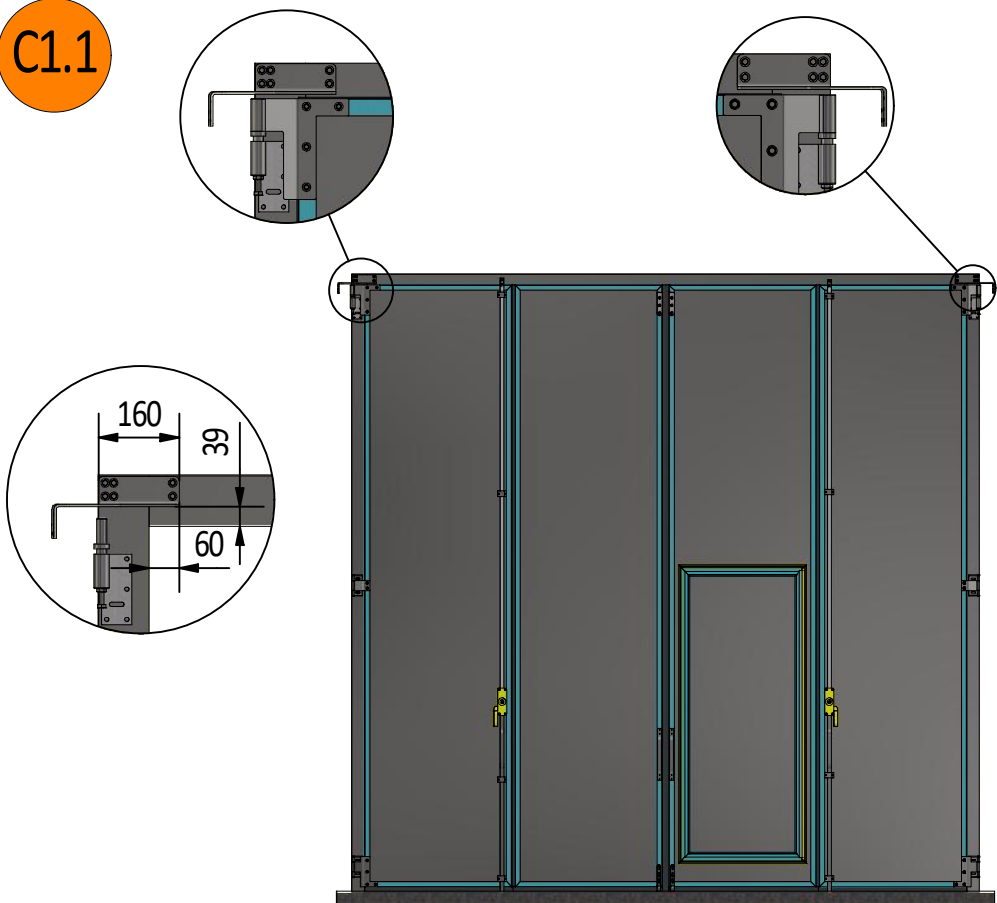
B1.1



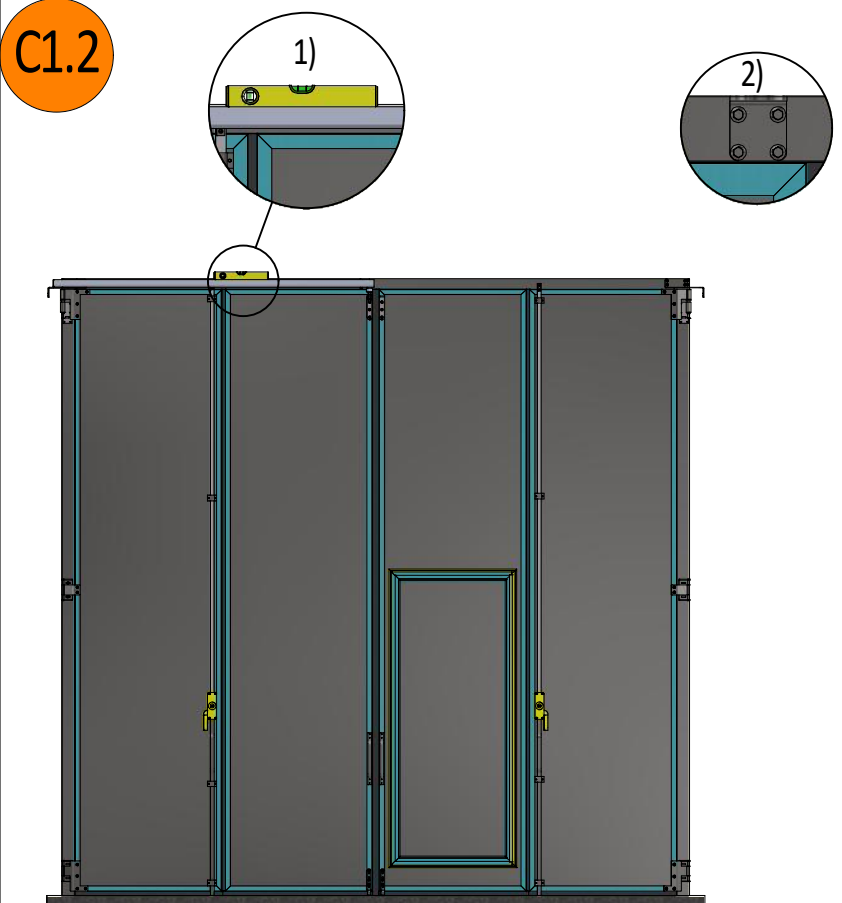
Repeat steps from  
A2.1-A2.7 for Mirror side



C1.1

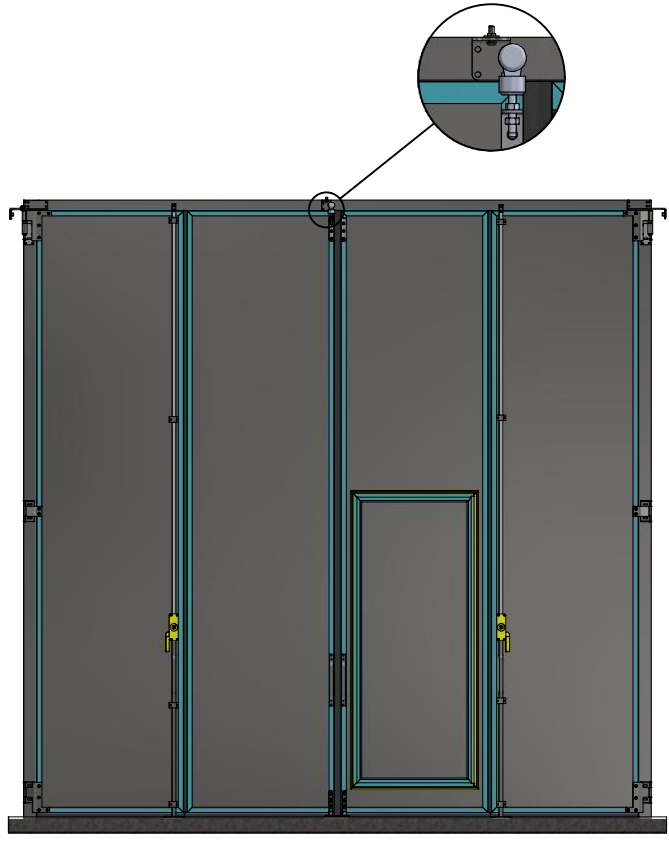


C1.2



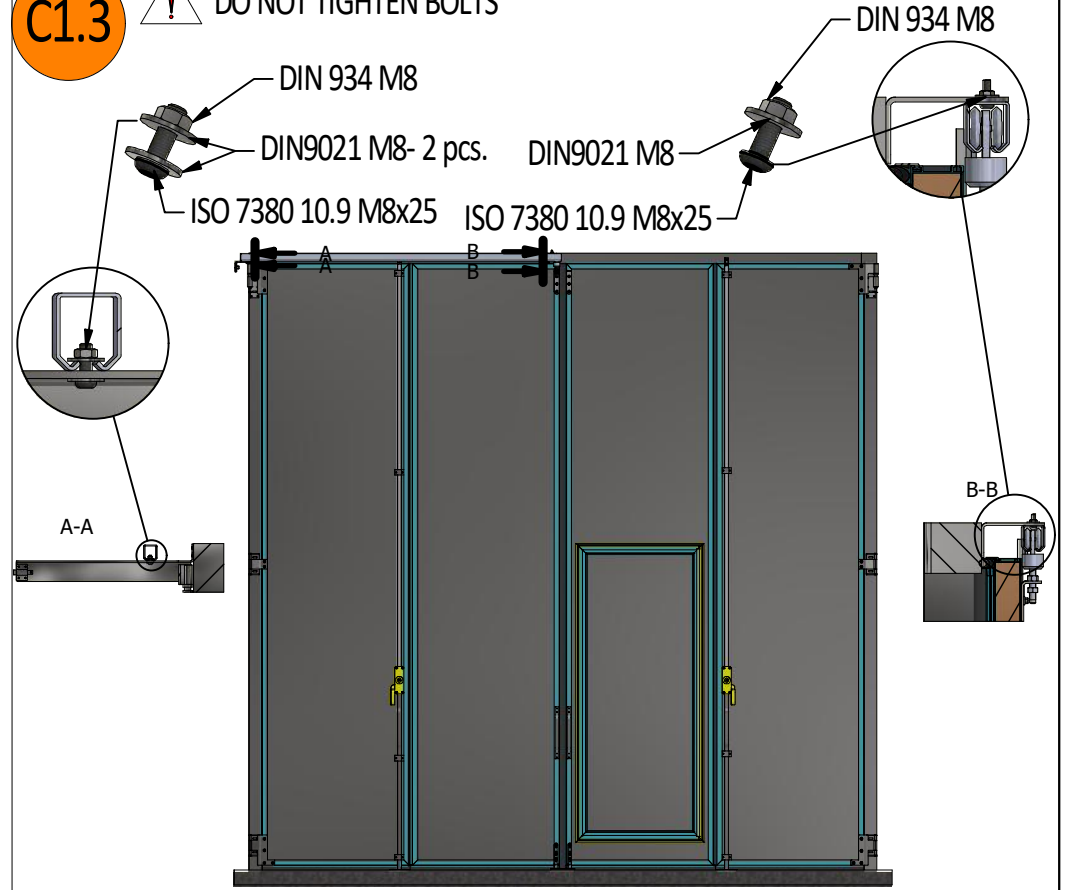
Date	2019-04-05	Sheet Format	A3	Mounting instruction_RD	Designer	VPA
				Folding Doors 4 panels	Rev.	00
					Sheet	3/5

C1.2

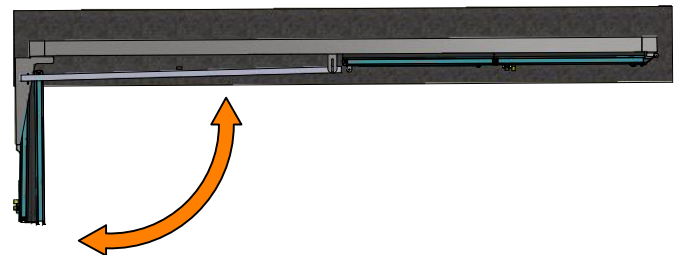
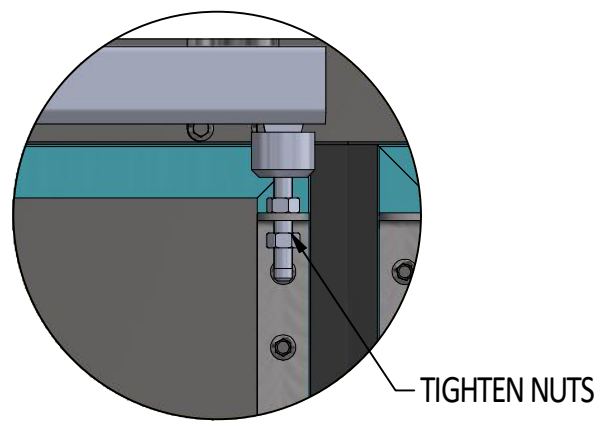


C1.3

! DO NOT TIGHTEN BOLTS



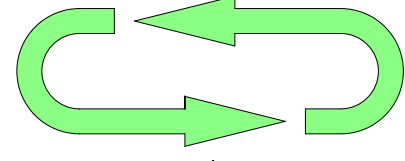
C1.4



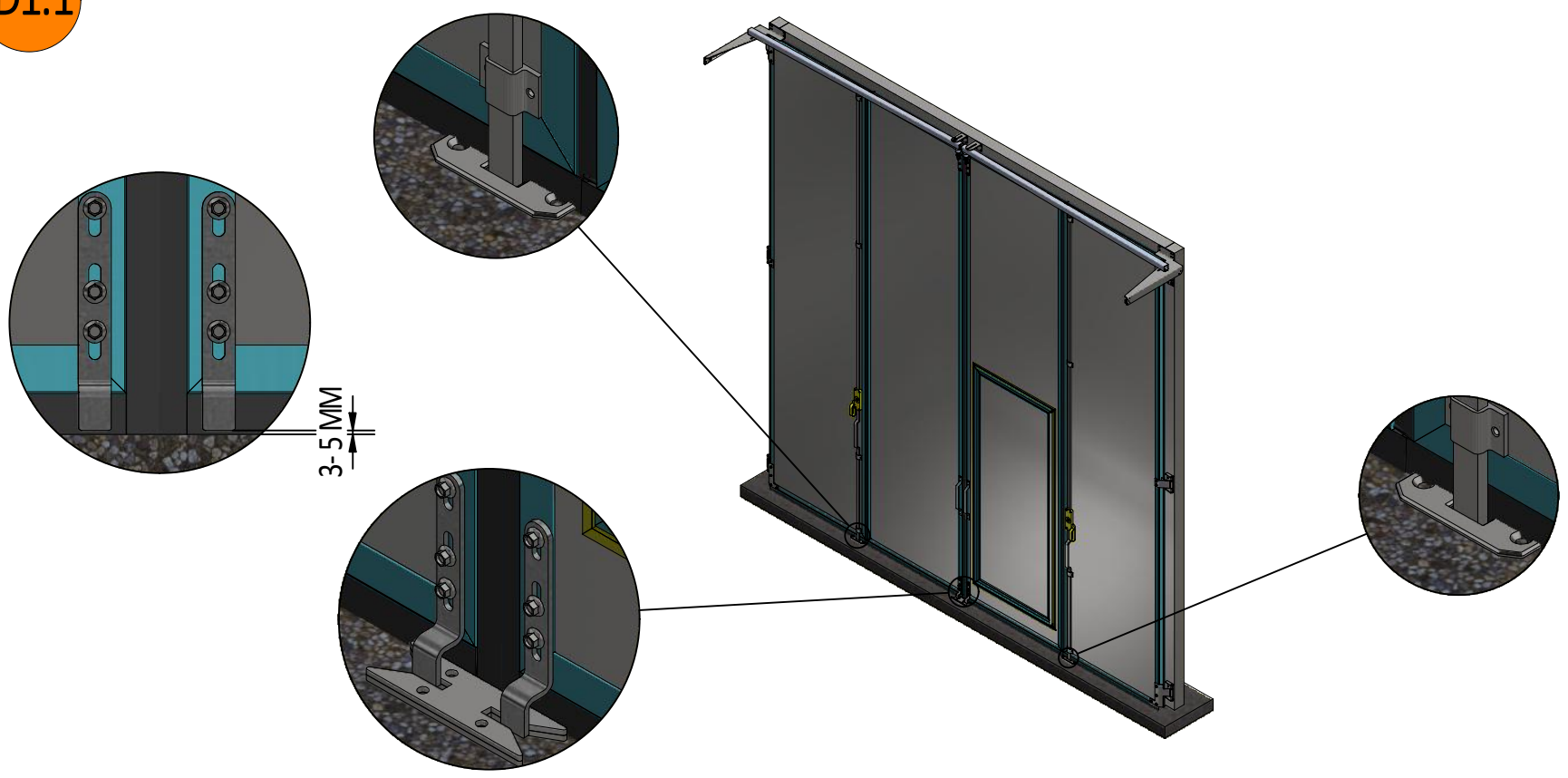
- ! 1. Open- close gates few times so rail stays in right angle.
- 2. Tighten rail bolts.

C2.1

! FOR MIRROR SIDE RAIL REPEAT C1.1- C1.4 STEPS

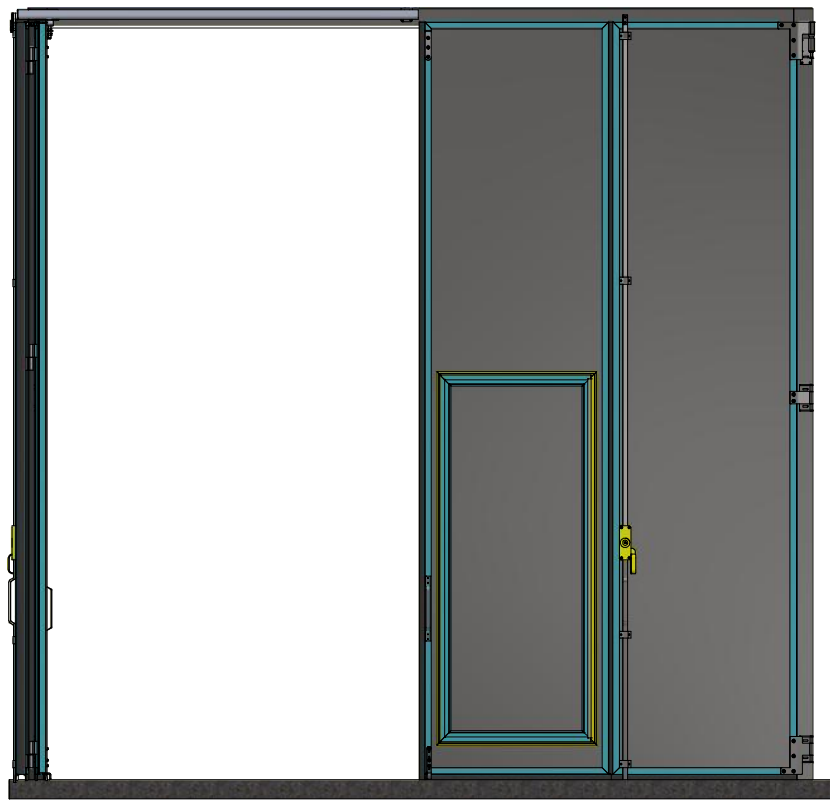


D1.1

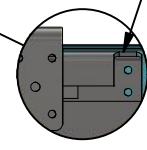


Date	2019-04-05	Sheet Format	A3	Mounting instruction_RD	Designer	VPA
				Folding Doors 4 panels	Rev.	00
					Sheet	4/5

E1.1

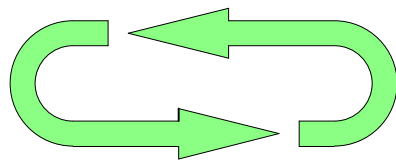


- 1. OPEN GATES
- 2. INSTAL GATE CATCHER PLATE



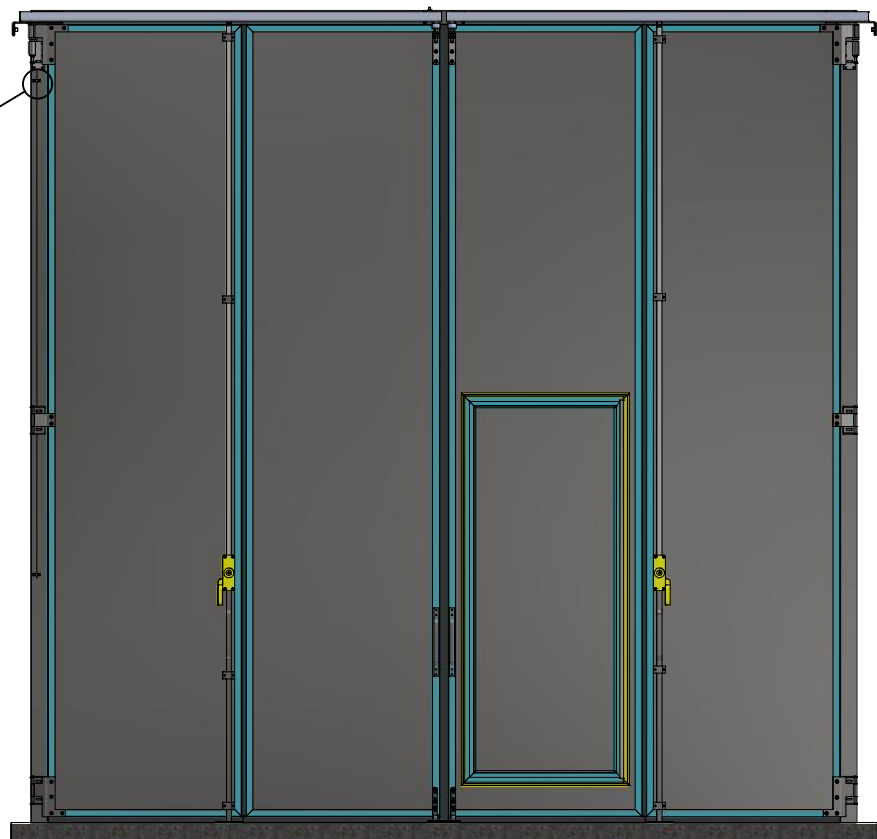
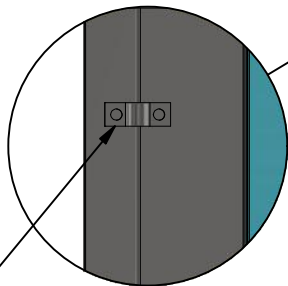
E1.2

REPEAT E1.1 STEP  
WITH MIRROR SIDE



E1.3

INSTALL WIRE ROPE  
SUPPORT PLATES-  
2 PCS ON EACH SIDE



Date	2019-04-05	Sheet Format	A3	Mounting instruction_RD	Designer	VPA
				Folding Doors 4 panels	Rev.	00
					Sheet	5/5